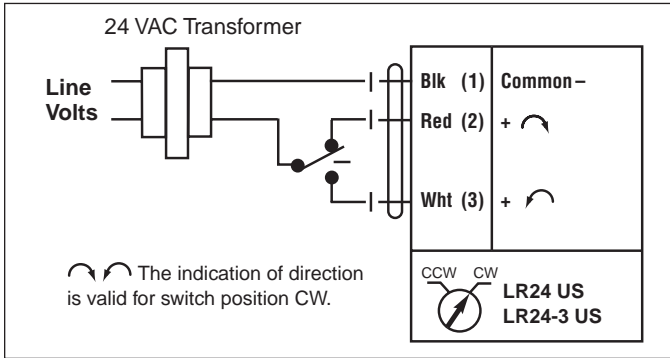
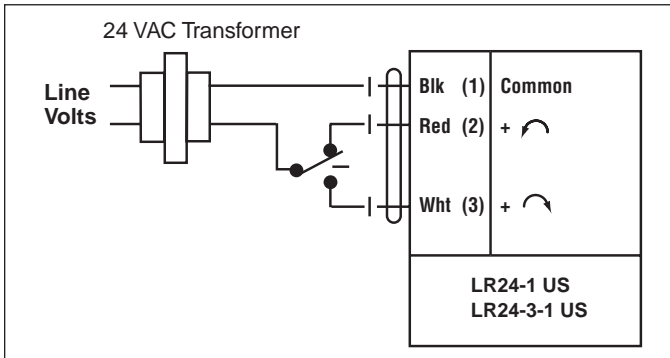


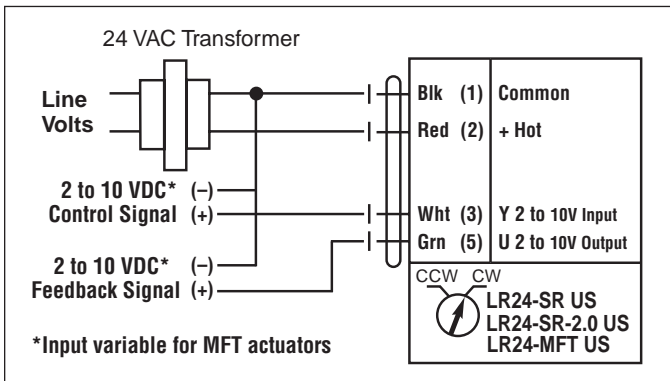
For use with Characterized Control Valves



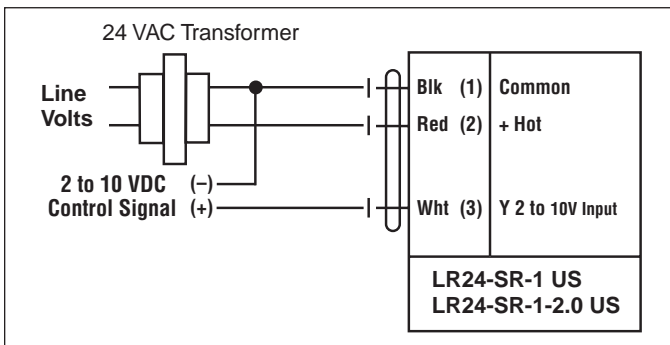
W123



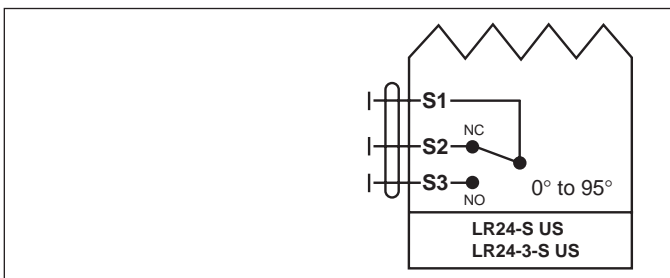
W124



W125



W126



W127

On/Off Floating Control, 24 VAC/DC Power

□ LR24 US	Running time: 80 to 110 seconds for 0 to 35 in-lb
□ LR24-3 US	Running time: 95 seconds constant
	Direction of rotation: reversible w/switch CW/CCW
	Transformer sizing: 3 VA (Class 2 power source)
	Input impedance: 3900Ω

□ LR24-1 US (LR24 US without conduit fitting)	Running time: 80 to 110 seconds for 0 to 35 in-lb
□ LR24-3-1 US	Running time: 95 seconds constant
	Direction of rotation: fixed (no CW/CCW switch): pin 2 CW pin 3 CCW
	Transformer sizing: 3 VA (Class 2 power source)
	Input impedance: 3900Ω

- LR24-S US (LR24 US with auxiliary switch)
- LR24-3-S US (LR24-3 US with auxiliary switch)

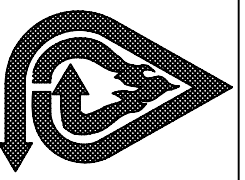
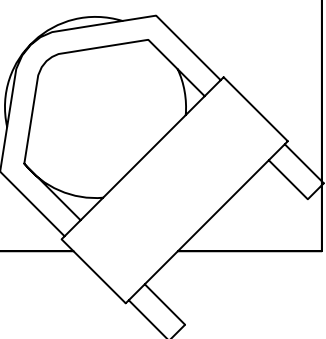
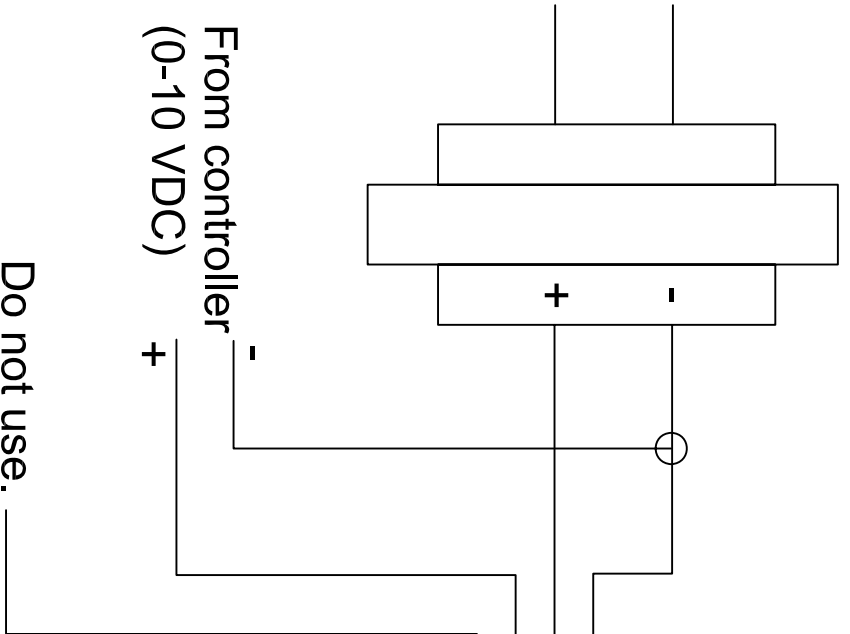
Proportional Control, 24 VAC/DC Power

□ LR24-SR US	Running time: 80 to 110 seconds for 0 to 35 in-lb
□ LR24-SR-1 US (LR24-SR US without conduit fitting, or feedback)	
□ LR24-SR-1-2.0 US (LR24-SR-2.0 US without conduit fitting, or feedback)	
□ LR24-SR-2.0 US	Running time: 95 seconds constant
□ LR24-MFT US	Input impedance: 100kΩ for 2 to 10 VDC (0.1 mA) 500Ω for 4 to 20 mA 750Ω for PWM 1500Ω for on/off and floating point
	Transformer sizing: 4 VA (Class 2 power source)
	Control signal 'Y': 0 to 10 VDC, 0 to 20 mA
	Input impedance: 100 kΩ (0.1 mA), 500Ω
	Operating range: 2 to 10 VDC, 4 to 20 mA
	Feedback output 'U': 2 to 10 VDC, max. 0.7 mA (LR24-SR US, LR24-SR-2.0 US)
	Direction of rotation: reversible with switch CW/CCW, CW = CW with voltage, CCW = CCW (LR24-SR US) (LR24-SR-2.0 US) CCW with increase in voltage (LR24-SR-1 US, LR24-SR-1-2.0 US)

Common Data

Power supply	24 VAC ± 20% 50/60 Hz	24 VDC ± 10%
Power consumption	2 W	
Electrical connection	3 ft, 18 GA, UL CL2P plenum cable 1/2 in conduit fitting (not on -1 models)	
Overload protection	Electronic throughout 0 to 95° rotation	
Torque	min 35 in-lb [4 Nm]	
Position indication	Indicator/handle	
Manual override	external push button	
Humidity	5 to 95% RH, non-condensing	
Ambient temperature	-22°F to +122°F [-30°C to +50°C]	
Storage temperature	-40°F to +176°F [-40°C to +80°C]	
Housing type	NEMA type 2	
Housing material rating	UL94-5V (flammability rating)	
Noise level	less than 35 dB (A)	
Servicing	maintenance free	
Agency listings	UL873 listed, CSA C22.2 No. 24 certified, CE	
Quality standard	ISO 9001	
Weight actuator	1.2 lbs [0.55 kg]	

Transformer



HYDRO-TEMP.

DWG NAME: Motorized Damper and Motorized Water Valve

DATE:

SCALE:

H005258