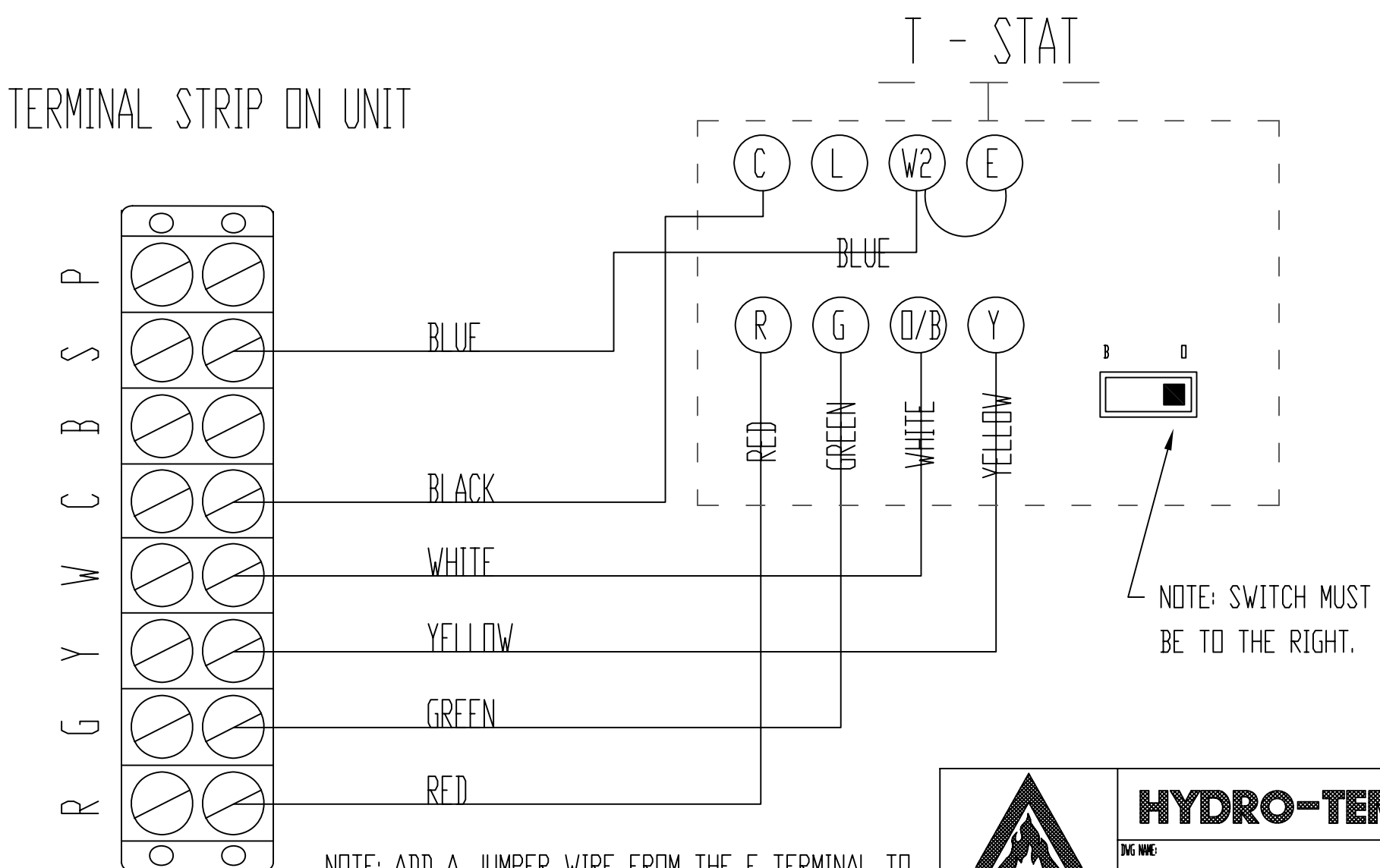
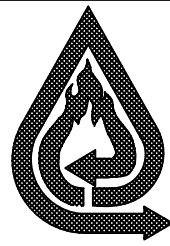


WHITE RODGERS BASIC HEAT PUMP THERMOSTAT WIRING DIAGRAM



NOTE: ADD A JUMPER WIRE FROM THE E TERMINAL TO THE W2 TERMINAL FOR EMERGENCY HEAT OPTION.



HYDRO-TEMP.

DWG NAME: WHITE RODGERS WIRING DIAGRAM

DATE: 11/07 SCALE: H004453 TLK