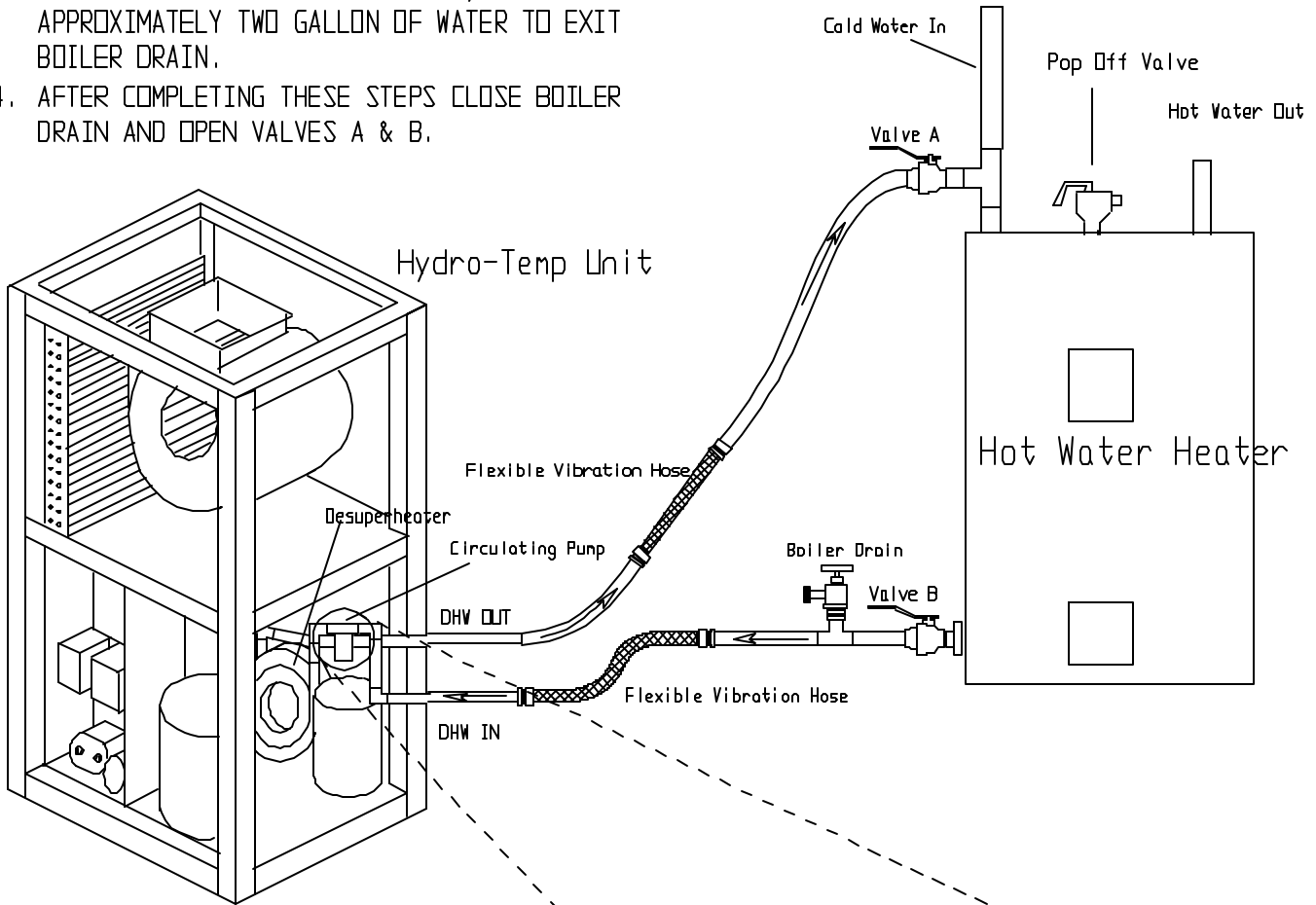


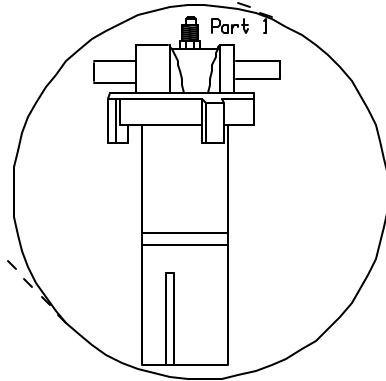
HOT WATER LOOP PURGING INSTRUCTIONS

1. OPEN VALVE A AND CLOSE VALVE B.
2. OPEN BOILER DRAIN AND ALLOW APPROXIMATELY TWO GALLONS OF WATER TO EXIT BOILER DRAIN.
3. CLOSE VALVE A AND OPEN VALVE B, ALLOWING APPROXIMATELY TWO GALLON OF WATER TO EXIT BOILER DRAIN.
4. AFTER COMPLETING THESE STEPS CLOSE BOILER DRAIN AND OPEN VALVES A & B.



OPTIONAL HOT WATER PURGING INSTRUCTIONS

1. OPEN VALVE A AND CLOSE VALVE B.
2. ATTACH REFRIGERANT HOSE TO PORT 1 AND ALLOW APPROXIMATELY TWO GALLONS OF WATER TO EXIT THROUGH REFRIGERANT HOSE.
3. CLOSE VALVE A AND OPEN VALVE B, ALLOWING APPROXIMATELY TWO GALLON OF WATER TO EXIT THROUGH REFRIGERANT HOSE.
4. AFTER COMPLETING THESE STEPS OPEN VALVES A & B AND THEN REMOVE REFRIGERANT HOSE.



HYDRO-TEMP.

DES. NO.: Hot Water Loop

DATE: 1/96

SCALE:

H000026

CVD