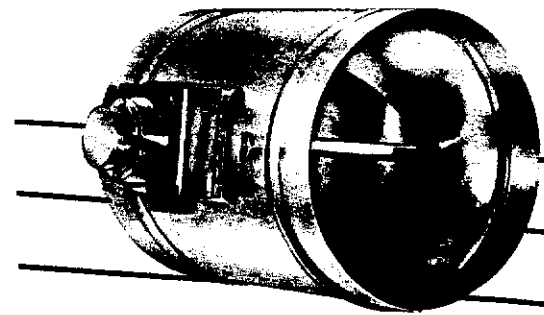
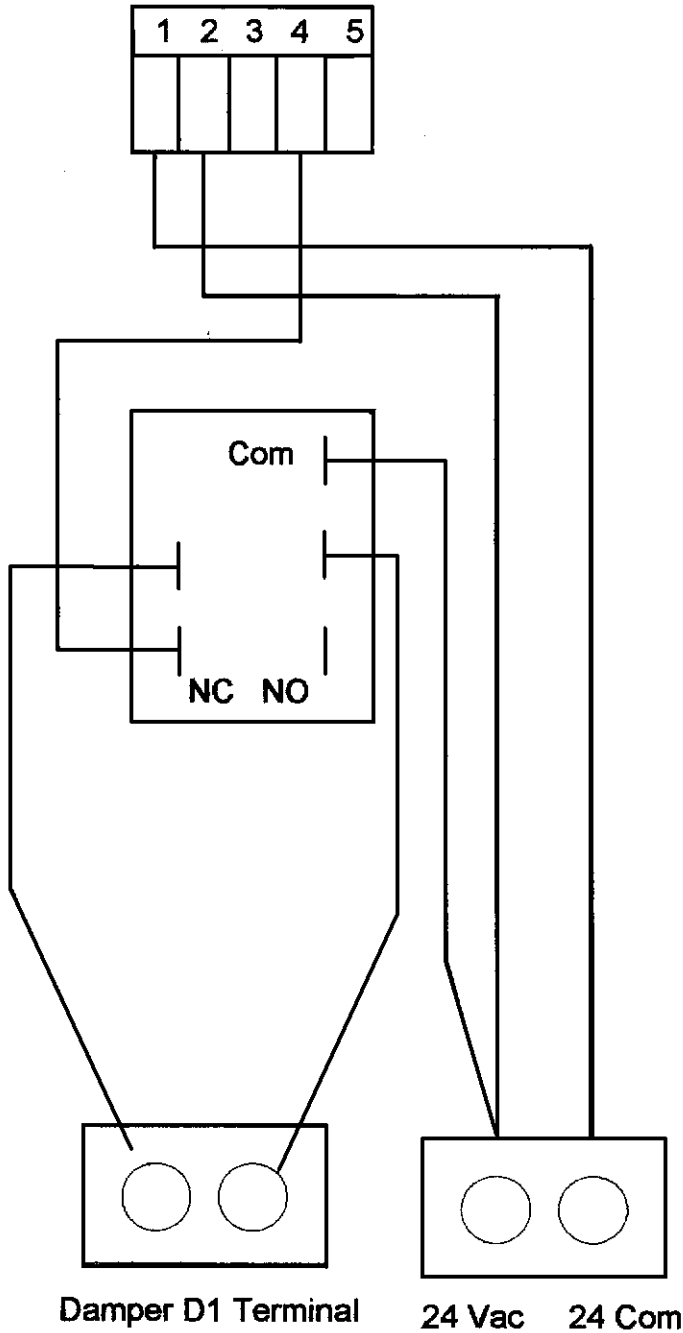


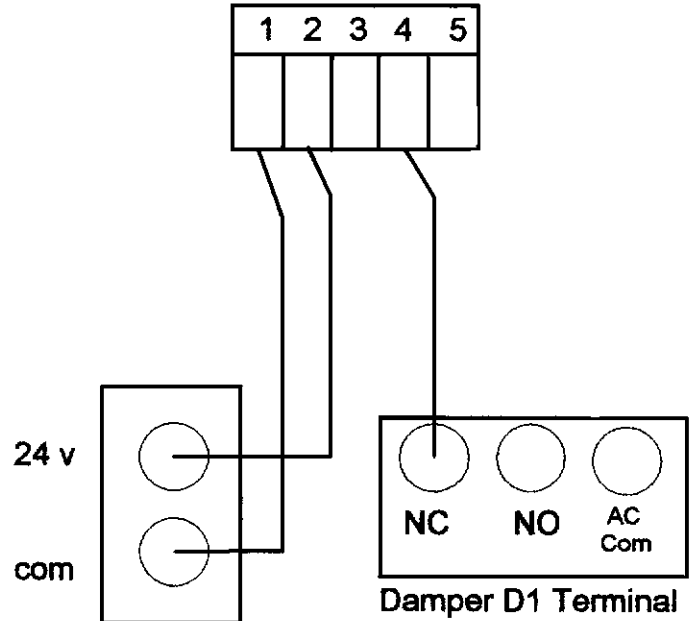
DuroZone®



Damper Motor



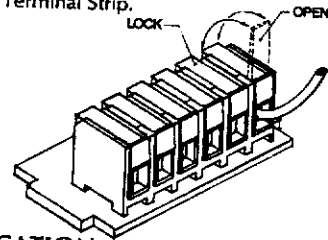
OLD CONTROL BOARD



NEW CONTROL BOARD

MOTOR TERMINALS

1. Trim 1/4" off end of Control Wiring.
2. Flip white tab up on Damper Motor Terminal Strip.
3. Insert trimmed Control Wire.
4. Flip white tab down.



MOTOR TERMINAL IDENTIFICATION

Terminals 1, & 2: 24 volt input.
 Terminals 4 & 5: Thermostat Connections - Closing 4 & 5 will open damper. Opening 4 & 5 will close damper.