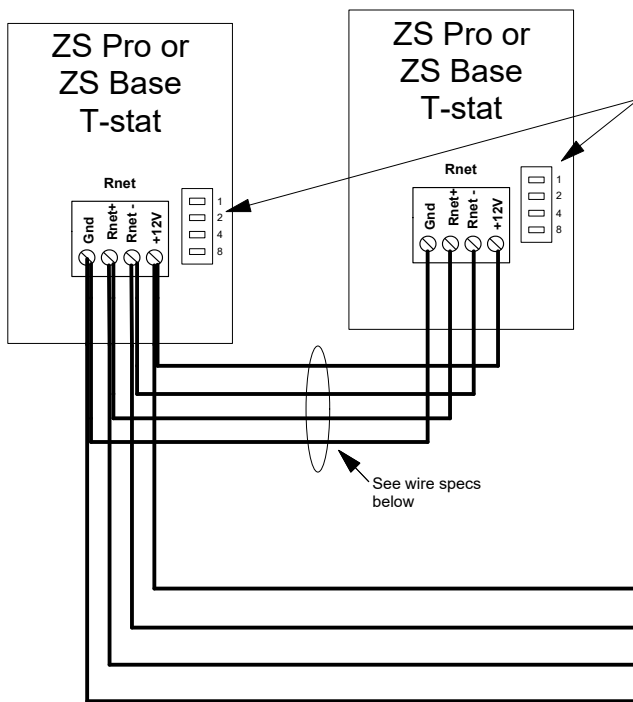
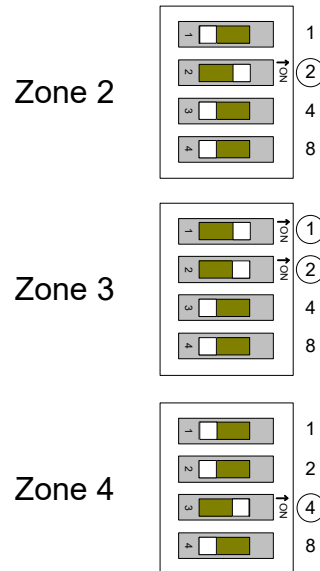


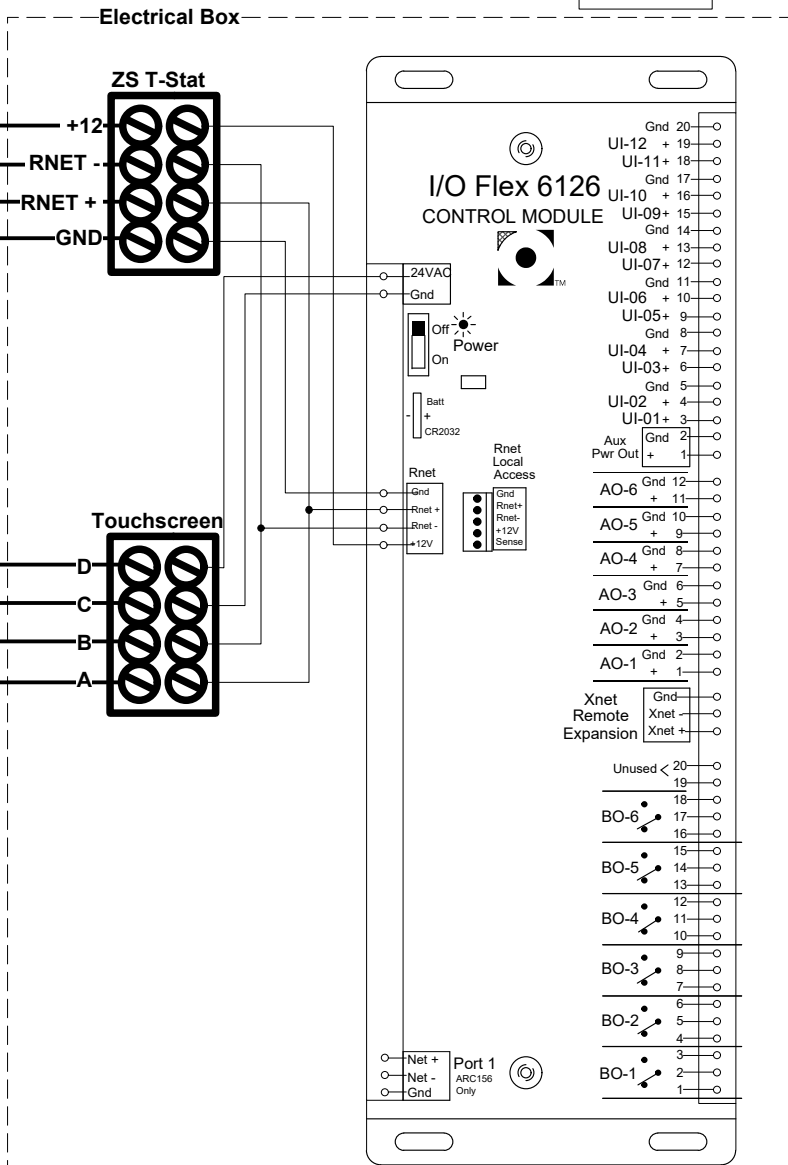
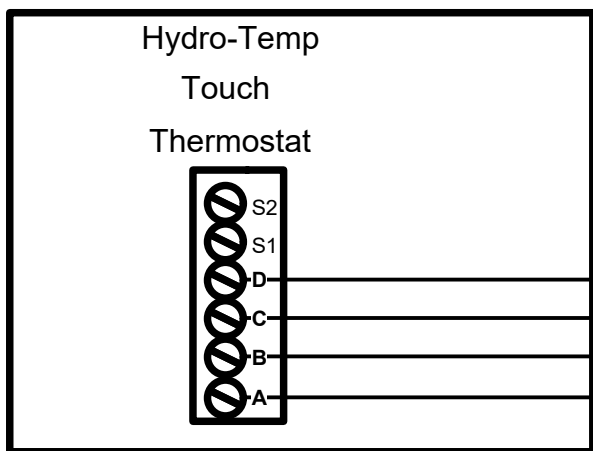
Up to 3 ZS thermostats can be added in series with the Hydro-Temp Protostar Touch thermostat. The Protostar T-stat does not have to be addressed, it is always assigned as zone one.

Each additional ZS t-stat must be addressed by setting the appropriate dip switch combination. For example zone two would be address 2 (dip switch 2 on and all others off). Zone three would be address 3 (dip switch 1 & 2 on and all others off).

Examples of each are shown here:



See wire specs below



Rnet thermostat wiring:
The Rnet communicates at a rate of 115 kbps, and works best using a daisy-chain configuration.

Rnet wire specifications:

Wire Gauge	18 AWG
Wire Type	stranded copper
Wire insulation	0.009" low smoke PVC
UL temp rating	-40 to 75 deg C
Jacket	0.0140" low smoke PVC
	0.255" nominal O.D.
Shielding	foil, with drain wire
Capacitance	47 pF/ft nominal
Resistance	6.9 ohms / 1000 feet
Maximum length	500 feet.



Title Hydro-Temp Touch Thermostat with ZS T-stats for Zones - AUTOMATED LOGIC 6126

THIS DRAWING, THE DESIGN AND DEVELOPMENTS ARE THE PROPERTY OF AND ARE NOT TO BE USED OR REPRODUCED IN ANY WAY WITHOUT WRITTEN CONSENT OF HYDRO-TEMP LTD.

Drawing Date	03/27/2014	DWG. NO.	H005210touch	REV	3
Edit Date	10/20/2014				